

**Datasheet**

Subject to technical alteration  
Issue date: 29.08.2018 • A005

**Application**

Differential pressure and volume flow transducer for monitoring differential pressure and volume flow of air and other non-flammable and non-aggressive gases. Three types with eight different measuring ranges are available for different applications. In addition to differential pressure all variants provide the calculated volume flow as second analog output signal. K-values for flow calculation (default 1500) can be parameterized via Thermokon USEapp. With the option board relay two-point controllers or a 2-stage 2-point controller for differential pressure or volume flow can be realized. The mounting base (included in delivery) allows mounting on a level surface or mounting on DIN rail TS35 (35x7,5 mm) according to EN 60715.

**Types Available****Differential pressure transducer – 2x 0..10 V**

DPA250+ VV MultiRange <AZ>  
DPA2500+ VV MultiRange <AZ>  
DPA7000+ VV MultiRange <AZ>

**Differential pressure transducer – 2x 4..20 mA**

DPA250+ AA MultiRange <AZ>  
DPA2500+ AA MultiRange <AZ>  
DPA7000+ AA MultiRange <AZ>

**Differential pressure transducer – 2x 0..10 V + Relay**

DPA250+ VV MultiRange Relay <AZ>  
DPA2500+ VV MultiRange Relay <AZ>  
DPA7000+ VV MultiRange Relay <AZ>

MultiRange: Measuring ranges adjustable at the transducer  
<AZ>: automatic zero-point calibration (optional)

## Security Advice – Caution



The installation and assembly of electrical equipment should only be performed by authorized personnel.

The product should only be used for the intended application. Unauthorised modifications are prohibited! The product must not be used in relation with any equipment that in case of a failure may threaten, directly or indirectly, human health or life or result in danger to human beings, animals or assets. Ensure all power is disconnected before installing. Do not connect to live/operating equipment.

Please comply with

- Local laws, health & safety regulations, technical standards and regulations
- Condition of the device at the time of installation, to ensure safe installation
- This data sheet and installation manual

## Notes on Disposal



As a component of a large-scale fixed installation, Thermokon products are intended to be used permanently as part of a building or a structure at a pre-defined and dedicated location, hence the Waste Electrical and Electronic Act (WEEE) is not applicable. However, most of the products may contain valuable materials that should be recycled and not disposed of as domestic waste. Please note the relevant regulations for local disposal.

## Technical Data

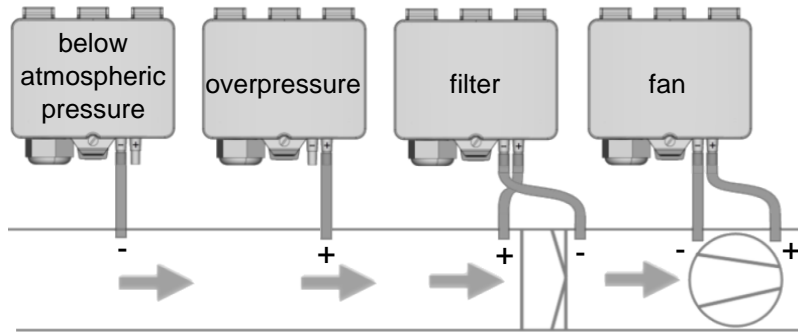
<b>Measuring values</b>	differential pressure, volume flow		
<b>Medium</b>	air or other non-flammable/non-aggressive gases		
<b>Output voltage</b>	0..10 V or 0..5 V, min. load 10 kΩ (live-zero configuration via Thermokon USEapp)		
<b>Output Amp</b> (type-dependent)	<b>AA</b> 2x 4..20 mA. max. load 500 Ω		
<b>Output switch contact</b> (type-dependent)	<b>Relay</b> 2 floating contacts for 24 V ~ or 24 V = / 3 A		
<b>Power supply</b> (type-dependent)	<b>VV   Relay</b> 15..35 V = or 19..29 V ~	<b>AA</b> 15..35 V =	
<b>Power consumption</b>	max. 2,3 W (24 V =)   max. 4,3 VA (24 V ~)		
<b>Measuring range velocity</b>	0... 750.000 m³/h (default), optionally configured via Thermokon USEapp		
<b>Measuring range pressure</b> *selectable at the device	<b>type 250</b> 0..+25   0..+50   0..+100   0..+250   -25..+25   -50..+50   - 100..+100   -150..+150 Pa	<b>type 2500</b> -100..+100   0..+100   0..+250   0..+500   0..+1000   0..+1500   0..+2000   0..+2500 Pa	<b>type 7000</b> 0..+1000   0..+1500   0..+2000   0..+2500   0..+3000   0..+4000   0..+5000   0..+7000 Pa
<b>Accuracy pressure</b> *deviation from calibration reference device (calibrator)	±1 Pa bei Messbereich <250 Pa	±5 Pa bei Messbereich <500 Pa, ±10 Pa bei Messbereich >500 Pa,	±10 Pa bei Messbereich <2000 Pa, ±25 Pa bei Messbereich >2000 Pa, Abweichung
<b>Max. working overpressure</b>	40 kPa		
<b>Calibration</b>	manually, automatic zero-point calibration (optional)		
<b>Sensor</b>	piezo measuring element		
<b>Enclosure</b>	enclosure USE-L, PC, pure white, with removable cable entry		
<b>Protection</b>	IP65 according to EN 60529		
<b>Cable entry</b> (type-dependent)	<b>VV   AA</b> Flextherm M16, for wire Ø=3..7 mm	<b>Relay</b> M25, for wire max. Ø=7 mm, seal insert for fourfold cable entry	
<b>Connection electrical</b>	removable plug-in terminal, max. 2,5 mm²		
<b>Connection mechanical</b>	pressure connection male Ø=5,0 mm / Ø=6,3 mm, connection tube: PVC, soft		
<b>Ambient condition</b>	-10..+50 °C, max. 85% rH short term condensation		
<b>Mounting</b>	screw mounted onto flat surface, prepared for mounting on DIN rail TS35 (35x7,5 mm) according to EN 60715		

## Mounting Advices

Before installing the device, please check the leak tightness of the pressure lines.

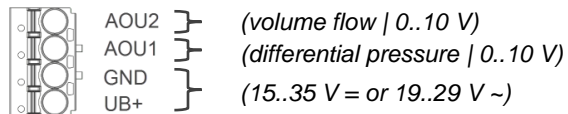
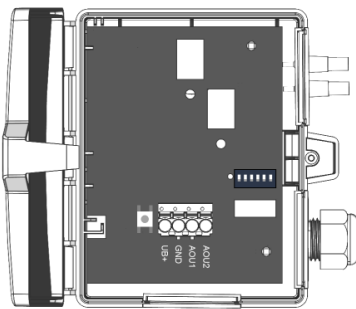
A prerequisite for the operation is a proper installation of all electrical supply, control and sensing leads as well as the pressurized connection line.

- In order to connect the device, the process lines must be unpressurized
- Consider the suitability of the device for the medium to be measured
- Consider maximum pressures

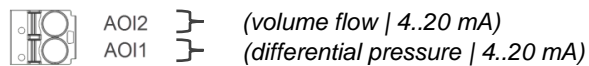
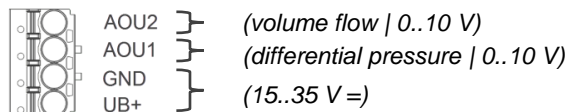
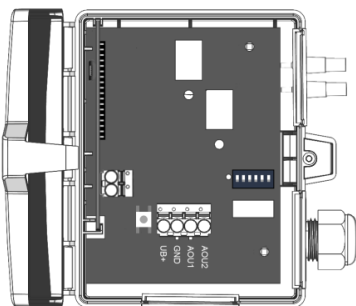


## Connection Plan

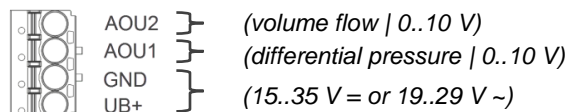
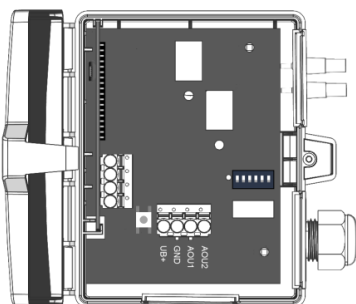
### DPA+ VV MultiRange



### DPA+ AA MultiRange



### DPA+ VV MultiRange Relay



## Measuring range adjustment – type 250 | 2500 | 7000

Measuring range adjustment – type 250   2500   7000								☐ = ON
								☐ = OFF
ON 1 2 3	ON 1 2 3	ON 1 2 3	ON 1 2 3	ON 1 2 3	ON 1 2 3	ON 1 2 3	ON 1 2 3	
0..+250	0..+100	0..+50	0..+25	-25..+25	-50..+50	-100..+100	-150..+150	Pa
0..+2500	0..+2000	0..+1500	0..+1000	0..+500	0..+250	0..+100	-100..+100	Pa
0..+7000	0..+5000	0..+4000	0..+3000	0..+2500	0..+2000	0..+1500	0..+1000	Pa
0..+1	0..+0.4	0..+0.2	0..+0.1	-0.1..+0.1	-0.2..+0.2	-0.4..+0.4	-0.6..+0.6	inchWC
0..+10	0..+8	0..+6	0..+4	0..+2	0..+1	0..+0.4	-0.4..+0.4	inchWC
0..+28	0..+20	0..+16	0..+12	0..+10	0..+8	0..+6	0..+4	inchWC

default

## Response time

## Output voltage

## Unit

Response time		Output voltage		Unit	
ON 4	ON 4	ON 5	ON 5	ON 6	ON 6
0,8 sec	4,0 sec	0..10 V	0..5 V	Pa	inchWC

default

default

default

Flow calculation: (default parameters)

$$q = k * \sqrt{2 * \frac{\Delta p}{\rho}}$$

with k=1500, fan manufacturer Rosenberg, Comefri, Nicotra Gebhardt, default measuring range 0..750.000 m³/h.

Further calculation formulas, fan manufacturers and k-values can be selected via the USEapp.

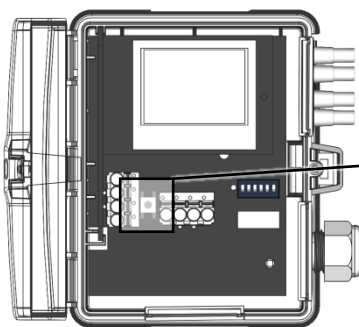
## Automatic zero-point correction - (optional)



## Transmitters equipped with the auto-zero correction are maintenance free.

The auto-zero correction electronically adjusts the transmitter zero every 10 minutes. The function eliminates all output signal drift due to thermal, electronic or mechanical effects. The auto-zero correction takes approx. 4 seconds after which the device returns to its normal measuring mode. During the 4 second correction period, the output and display values will freeze to the latest measured value.

## Manual zero-point correction (for devices without auto-zero function)



In normal operation zero point correction should be executed every 12 months.

**Attention! For executing zero point correction the power supply must be connected one hour before.**

- Release both connection tubes from the pressure terminals + and -
- Press the button until the LED lights permanently
- Wait until the LED flashes again and reinstall the connection tubes to the pressure ports (note + and -)

## Configuration



The Thermokon bluetooth dongle with micro-USB is required for communication between USEapp and USE-M / USE L (Item No.: 668262). Commercial bluetooth dongles are not compatible.

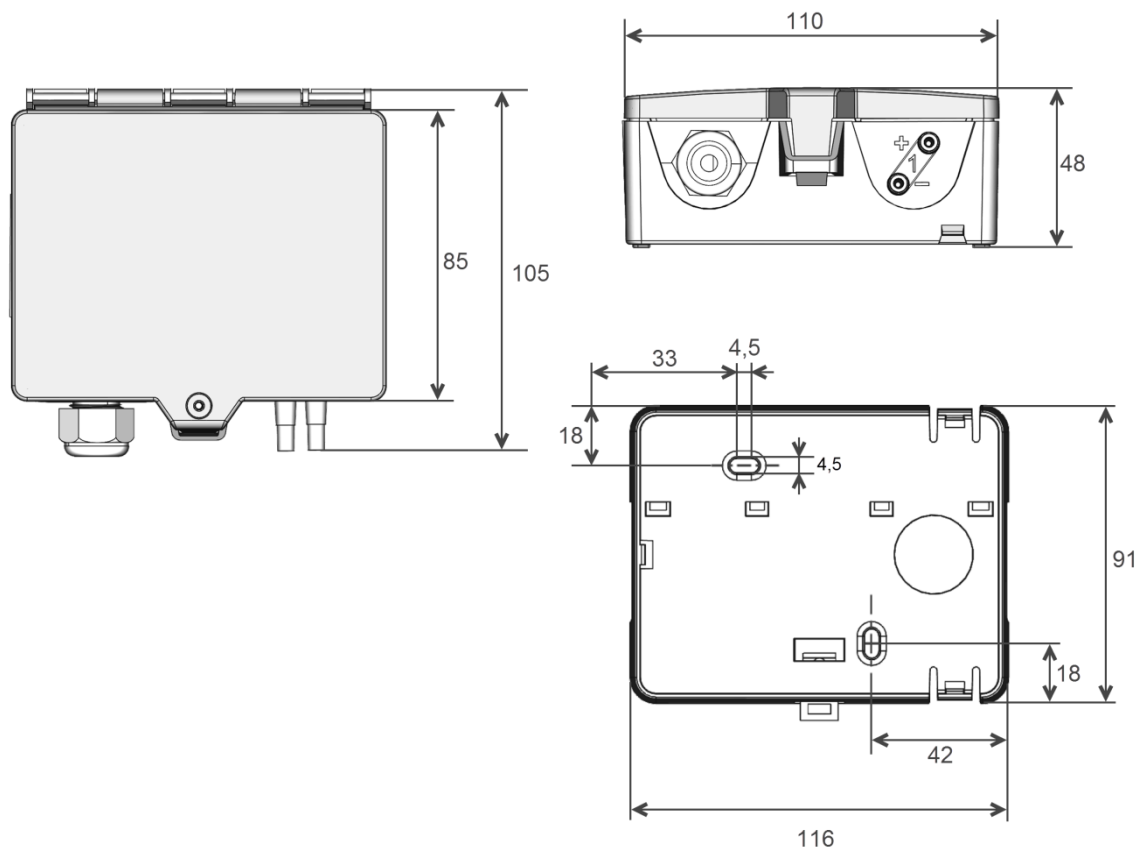


Application-specific reconfiguration of the devices can be carried out using the Thermokon USEapp. The configuration is carried out in the voltage-supplied state.



The configuration-app and the app description can be found in the Google Play Store or in the Apple App Store.

**Dimensions (mm)**



**Accessories (included in delivery)**

- Mounting base enclosure USE-L Item No. 668361
- 2 m PVC connection tube Item No. 484268
- KKS40 kit Item No. 430135
  - 2 plastic duct flanges
  - 4 mounting screws 4x20
- Mounting kit universal Item No. 698511
  - Cover screw + screw cover • 2 Rawlplugs • 2 Screws (countersunk head) • 2 Screws (rounded head)

**Accessories (optional)**

- Bluetooth dongle USE for USEapp Item No. 668262
- Cable entry M25 USE white, sealing insert 4x Ø=7 mm (4 pcs) Item No. 641364
- T-hose connector for pressure hoses Ø=4 mm (10 pcs) Item No. 668323
- Adapter 90° angle for pressure hoses Ø=4 mm Item No. 668330
- Metal duct connectors 40 mm Item No. 265138
- Metal duct connectors 100 mm Item No. 302531

**M16 Sealing inserts cable entry (packaging unit 10 pcs.)**

for wire with Ø	8 mm
Item No	641340

**M20 Sealing inserts cable entry (packaging unit 10 pcs.)**

for wire with Ø	2x6 mm	2x7 mm	6 mm	8 mm
Item No	641319	641333	641074	641081